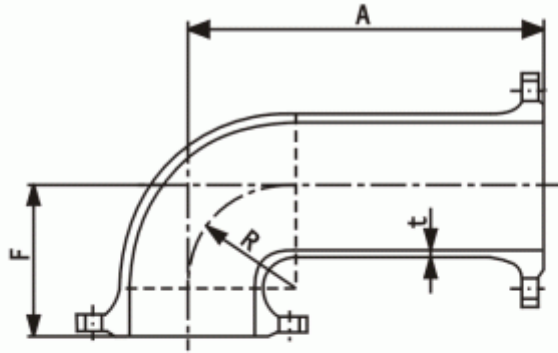
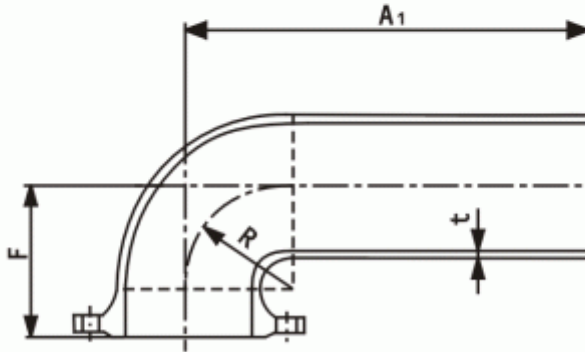




● Bend for Sluice Valves



■ B1



■ B2

Unit: mm

| Nominal size | | Thickness t | Dimensions | | | | Weight (kg) | | | | Weight (kg) | | | |
|--------------|-----|----------------|------------|-----|----------------|-----|-------------|-------|-------|------|-------------|-------|-------|------|
| D | d | | R | A | A ₁ | F | B | | I | | B | | 2 | |
| | | | | | | | 7.5 K | 10 K | 16 K | 20 K | 7.5 K | 10 K | 16 K | 20 K |
| 400 | 100 | 8.5 | 200 | 340 | 373 | 250 | 19.6 | 16.0 | 18.5 | 19.2 | 15.8 | 14.0 | 15.2 | 15.6 |
| 450 | 100 | 8.5 | 200 | 365 | 398 | 250 | 20.1 | 16.5 | 19.0 | 19.7 | 16.3 | 14.5 | 15.7 | 16.1 |
| 500 | 100 | 8.5 | 200 | 390 | 423 | 250 | 20.7 | 17.1 | 19.6 | 20.3 | 16.8 | 15.0 | 16.2 | 16.6 |
| 600 | 100 | 8.5 | 200 | 435 | 468 | 250 | 21.6 | 18.0 | 20.5 | 21.2 | 17.8 | 16.0 | 17.2 | 17.6 |
| 700 | 150 | 9.0 | 200 | 475 | 507 | 250 | 33.1 | 31.9 | 36.1 | 38.5 | 27.9 | 27.3 | 29.4 | 30.6 |
| 800 | 150 | 9.0 | 200 | 535 | 567 | 250 | 35.1 | 33.9 | 38.1 | 40.5 | 29.9 | 29.3 | 31.4 | 32.6 |
| 900 | 200 | 11.0 | 250 | 590 | 620 | 310 | 57.1 | 54.5 | 60.8 | 63.4 | 50.5 | 49.2 | 52.3 | 53.6 |
| 1000 | 200 | 11.0 | 250 | 635 | 665 | 310 | 59.4 | 56.8 | 63.1 | 65.7 | 52.9 | 51.6 | 54.7 | 56.0 |
| 1100 | 200 | 11.0 | 250 | 670 | 700 | 310 | 61.2 | 58.6 | 64.9 | 67.5 | 54.7 | 53.4 | 56.5 | 57.8 |
| 1200 | 250 | 12.0 | 250 | 680 | 740 | 310 | 84.8 | 83.2 | 94.8 | - | 77.5 | 76.7 | 82.5 | - |
| 1350 | 250 | 12.0 | 250 | 725 | 785 | 310 | 87.9 | 86.3 | 97.9 | - | 80.6 | 79.8 | 85.6 | - |
| 1500 | 300 | 12.5 | 250 | 780 | 840 | 315 | 114.0 | 108.4 | 125.0 | - | 105.0 | 102.2 | 110.5 | - |
| 1600 | 300 | 12.5 | 250 | 790 | 850 | 315 | 115.0 | 109.4 | 126.0 | - | 106.0 | 103.2 | 111.5 | - |
| 1650 | 300 | 12.5 | 250 | 790 | 850 | 315 | 115.0 | 109.4 | 126.0 | - | 106.0 | 103.2 | 111.5 | - |
| 1800 | 350 | 13.0 | 300 | 815 | 900 | 370 | 149.0 | 138.2 | - | - | 139.0 | 133.6 | - | - |
| 2000 | 350 | 13.0 | 300 | 825 | 910 | 370 | 150.0 | 139.2 | - | - | 140.0 | 134.6 | - | - |
| 2100 | 400 | 14.0 | 300 | 835 | - | 375 | 183.0 | 178.2 | - | - | - | - | - | - |
| 2200 | 400 | 14.0 | 300 | 845 | - | 375 | 184.0 | 179.2 | - | - | - | - | - | - |
| 2400 | 450 | 14.5 | 350 | 870 | - | 430 | 228.0 | 220.8 | - | - | - | - | - | - |
| 2600 | 500 | 15.0 | 335 | 895 | - | 430 | 266.0 | 258.6 | - | - | - | - | - | - |

Note: For the sluice valves (as main valves) of 1600~2600mm, the face-to-face distance shall be calculated as 900mm. However, for the by-pass valves of 400mm and over, A₁ dimensions and weights are not calculated due to not being stated in CNS.